

WHEELER-REX PROFESSIONAL TOOLS



Model 7090 **Pipe Threader**

**1/2 - 2" capacity,
high-performance
threading machine.**



Wheeler Manufacturing, Division of Rex International U.S.A., Inc.
P.O. Box 688, 3744 Jefferson Road, Ashtabula, Ohio 44005

Phone: 440-998-2788 Fax: 440-992-2925 Toll-Free: 1-800-321-7950 www.wheelerrex.com

E-mail: wheeler@wheelerrex.com

Model 7090 Pipe Threader

The Model 7090 Threader features die head and dies which interchange with Model 300 series machines.

Model 7090 Features:

- Fast & powerful
- Portable – 138 lbs. (63 kg)
- Self-oiling thru die head
- Auto-open die head

Specifications:

Standard Capacity: 1/2 – 2"

Motor: 110/120V 600 W series

Die Head: 1/2 – 2" Auto open, thru head oiling

Dies: 1/2 – 3/4", 1 – 2" NPT

Cutter: Wheel type

Free Speed: 41 RPM

Footswitch & Legs: Included

Noise Level Under Load: 84 DB

Net Weight: 138 lbs.

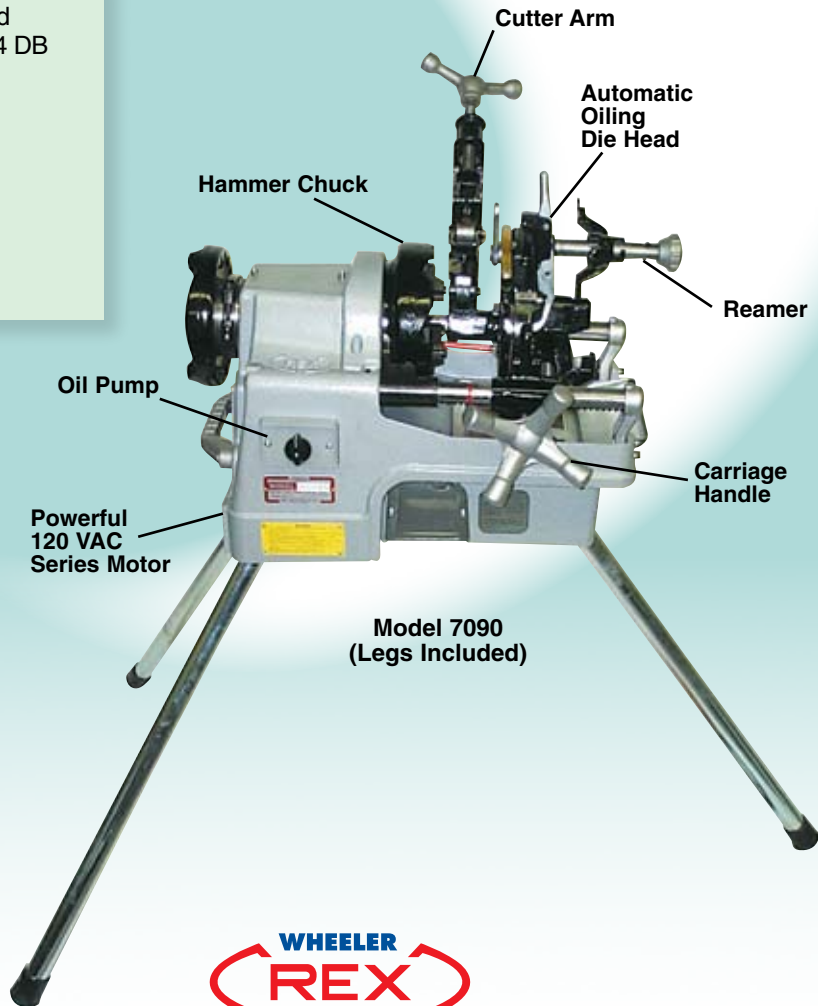
Optional Items:

- Folding cart
- 1/2, 3/4 & 1" nipple chucks
- Threading oil
- Universal replacement dies

Model 7090 with
Optional Cart



Threading Oil



Model 7090
(Legs Included)



Wheeler Manufacturing, Division of Rex International U.S.A., Inc.
P.O. Box 688, 3744 Jefferson Road, Ashtabula, Ohio 44005

Phone: 440-998-2788 Fax: 440-992-2925 Toll-Free: 1-800-321-7950 www.wheelerrex.com

E-mail: wheeler@wheelerrex.com